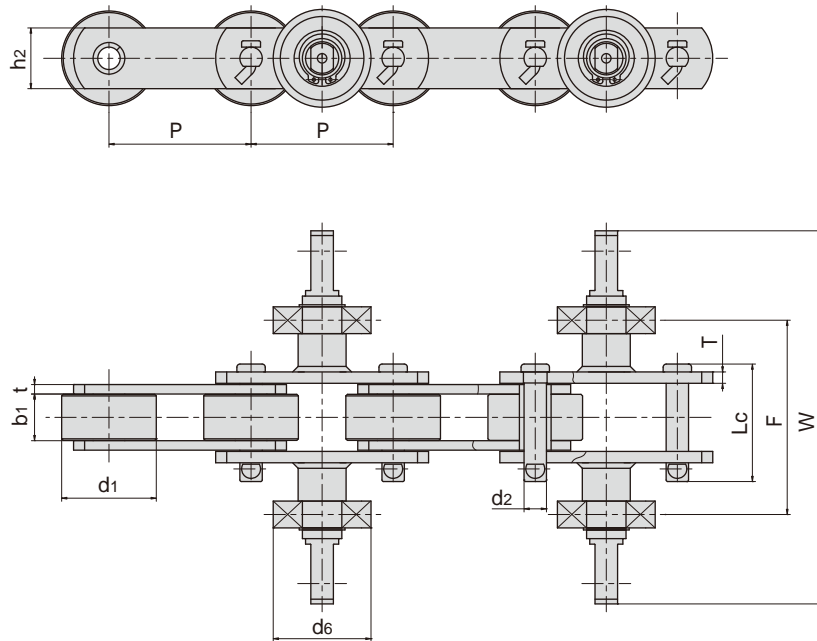
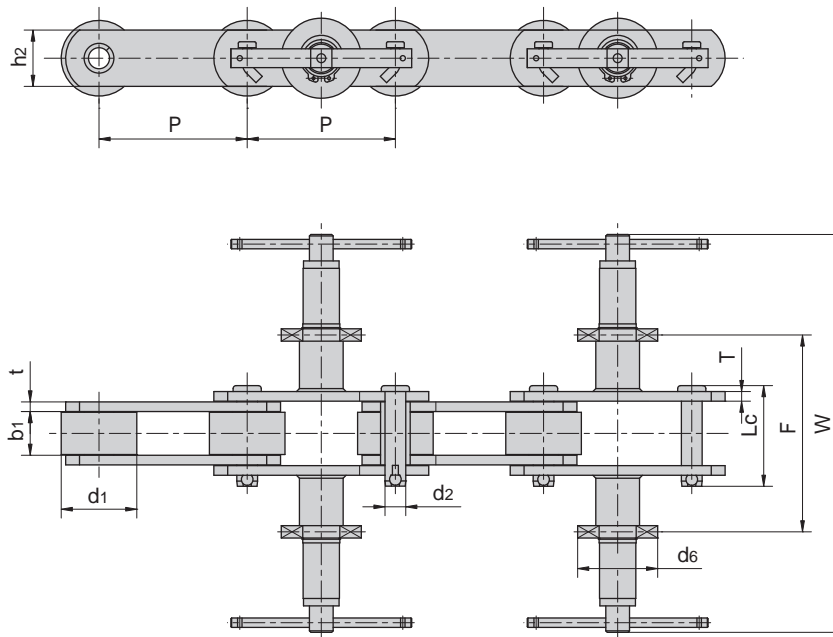


## 橡胶手套输送链 Rubber gloves carrier chains



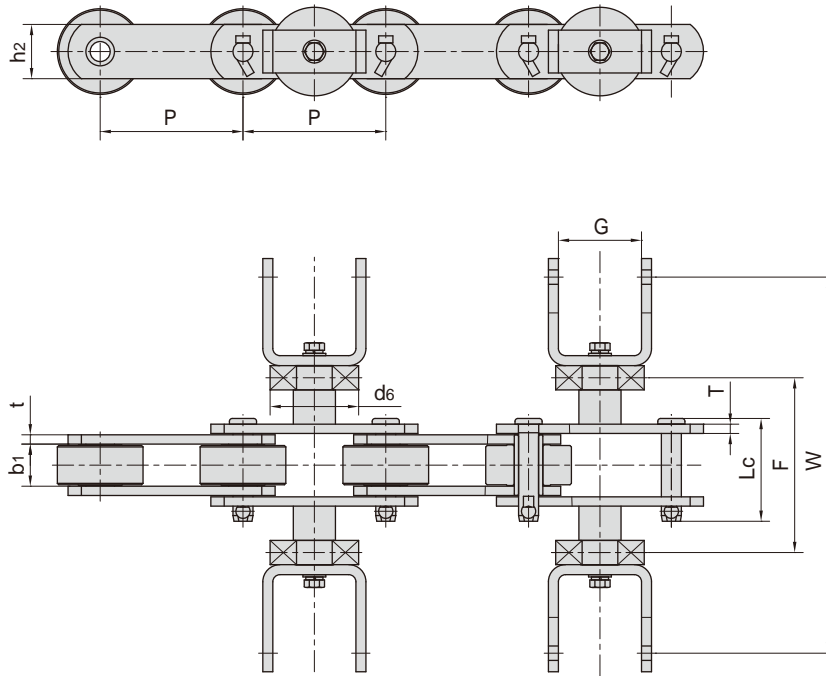
东华链号 Donghua Chain No.	节距	滚子直径	内节内宽	销轴直径	销轴长度	链板高度	链板厚度	附件尺寸			抗拉强度
	Pitch	Roller diameter	Width between inner plates	Pin diameter	Pin length	Plate depth	Plate thickness	Attachment dimension			Tensile strength
	P	d1 max	b1 min	d2 max	Lc max	h2 max	t/T max	F	W	d6	Q min
	mm	mm	mm	mm	mm	mm	mm	mm	mm	mm	kN/lbf
P90F1	90.0	60.0	29.5	14.2	74.5	38.5	6.0/7.0	121.5	236.6	62.0	112.0/25178
P100F189	100.0	60.0	28.8	14.0	70.0	38.0	6.5	122.0	278.0	62.0	200.0/44960
P100F218	100.0	60.0	29.0	15.0	76.4	38.0	8.0	138.0	244.0	62.0	230.0/51704

## 橡胶手套输送链 Rubber gloves carrier chains



东华链号 Donghua Chain No.	节距	滚子直径	内节内宽	销轴直径	销轴长度	链板高度	链板厚度	附件尺寸			抗拉强度
	Pitch	Roller diameter	Width between inner plates	Pin diameter	Pin length	Plate depth	Plate thickness	F	W	d6	Tensile strength
	P	d1 max	b1 min	d2 max	Lc max	h2 max	t/T max	mm	mm	mm	Q min
	mm	mm	mm	mm	mm	mm	mm	mm	mm	mm	kN/lbf
P100F154	100.0	51.0	29.5	14.0	72.0	38.0	6.5	210.0	482.0	62.0	200.0/44960
P100F170	100.0	60.0	29.5	16.0	72.0	45.0	6.5	207.0	480.0	62.0	260.0/58448
P100F204	100.0	60.0	28.5	14.0	71.0	38.0	6.5	207.0	478.0	62.0	200.0/44960
P100F310	100.0	60.0	28.0	16.0	72.0	40.0	7.0	199.0	478.0	62.0	200.0/44960
P100F312	100.0	58.0	28.5	16.0	77.0	40.0	8.0	207.0	478.0	62.0	260.0/58448
P100F335	100.0	60.0	28.5	16.0	77.0	40.0	8.0	207.0	478.0	62.0	260.0/58449

## 橡胶手套输送链 Rubber gloves carrier chains

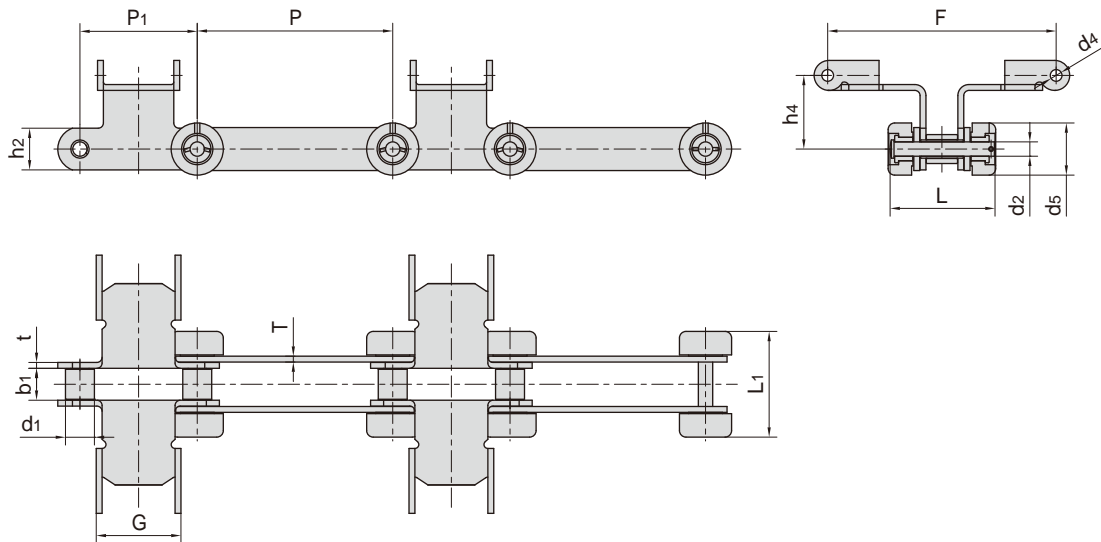


东华链号 Donghua Chain No.	节距	滚子直径	内节内宽	销轴直径	销轴长度	链板高度	链板厚度	附件尺寸				抗拉强度
	Pitch	Roller diameter	Width between inner plates	Pin diameter	Pin length	Plate depth	Plate thickness	Attachment dimension				Tensile strength
	P	d1 max	b1 min	d2 max	Lc max	h2 max	t/T max	F	W	d6	G	Q min
	mm	mm	mm	mm	mm	mm	mm	mm	mm	mm	mm	kN/lbf
P100F155	100	60	29.5	14	72	38	6.5	122	262	62	59.5	200.0/44960
P100F190*	100	60	28.5	14	71	38	6.5	121	262	62	58.5	200.0/44960
P100F205	100	60	29.5	14	71	38	6.5	121	263	62	58.2	200.0/44960
P100F328*	100	60	28.5	14	71	38	6.5	121	222	62	58.5	200.0/44960

\*表示U型附板带加强筋

\*U Type attachment with reinforce rib

## 橡胶手套输送链 Rubber gloves carrier chains



东华链号 Donghua Chain No.	节距 Pitch		滚子直径 Roller diameter	内节内宽 Width between inner plates	销轴直径 Pin diameter	销轴长度 Pin length	链板高度 Plate depth	链板厚度 Plate thickness	抗拉强度 Tensile strength	每米长重 Weight per meter
	P	P <sub>1</sub>	d <sub>1</sub> max	b <sub>1</sub> min	d <sub>2</sub> max	L max	h <sub>2</sub> max	t/T max	Q min	q
	mm	mm	mm	mm	mm	mm	mm	mm	kN/lbf	kg/m
P100F13	100.0	100.0	22.23	22.5	10.8	76.5	32.0	6.0/4.5	60/13488	9.32
P100F139	100.0	100.0	22.00	24.0	12.0	75.0	32.0	6.0	60/13488	11.87
P150/90	150.0	90.0	22.20	24.3	10.8	81.5	32.0	4.5	60/13488	8.10

东华链号 Donghua Chain No.	G	L <sub>1</sub>	F	h <sub>4</sub>	d <sub>4</sub>	d <sub>5</sub>
	mm	mm	mm	mm	mm	mm
P100F13	74.6	79.5	175.0	56.5	9.2	40.0
P100F139	74.6	83.5	176.5	56.5	9.1	40.0
P150/90	65.0	82.0	175.0	57.0	9.2	40.0